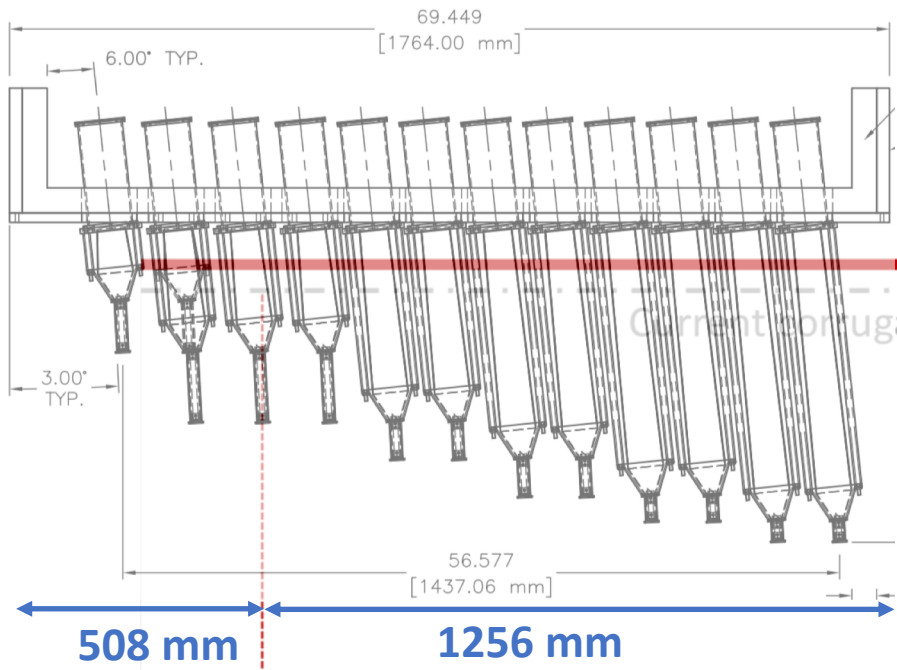


Detector region beamline layout schematic

April 20, 2021

Dustin McNulty

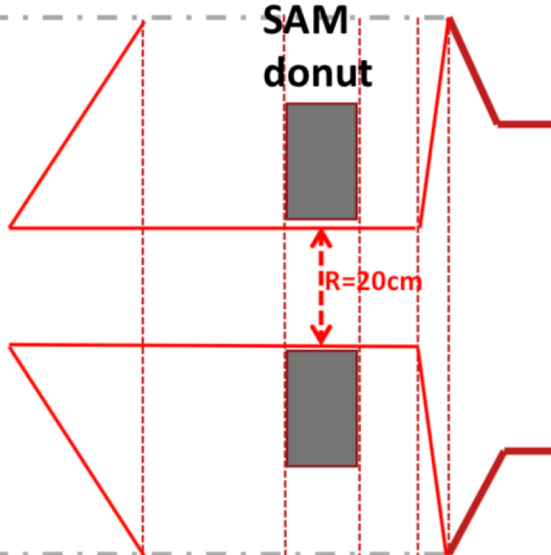
(Idaho State University)



Detector region beamline layout

Current corrugated pipe size

< 200 mm



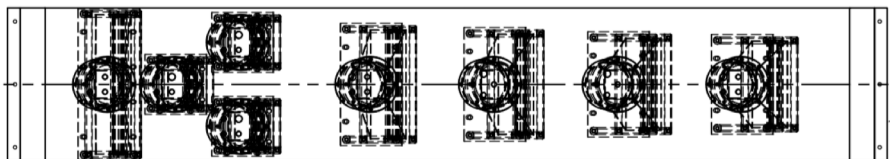
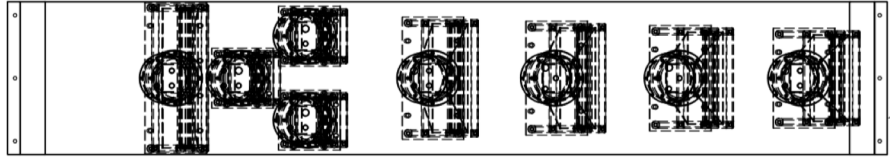
MD ref (R5)
z= 22000

MD end
z~23500

SM start
z=
24398-
24498

Pion det
start z= 25198

SAM begin
z= 26348



Pion donut start
z= 24798

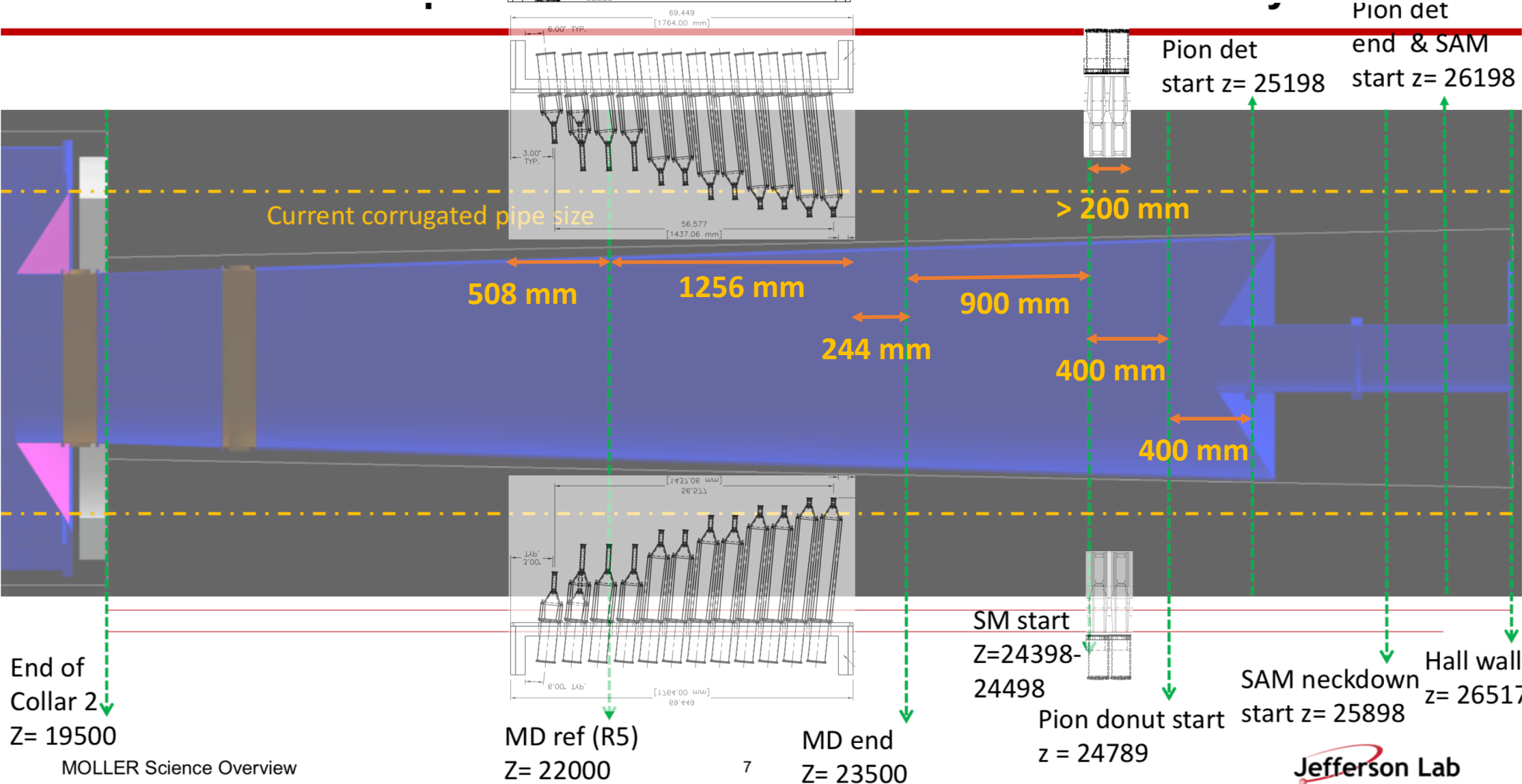
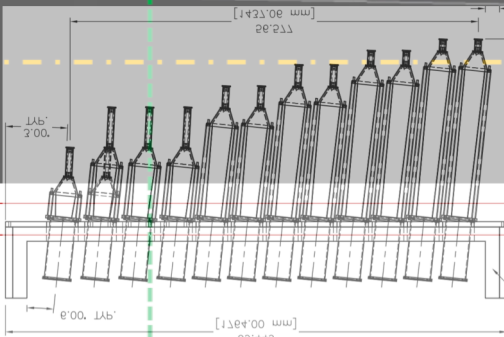
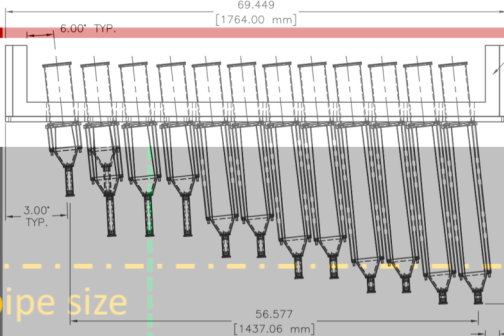
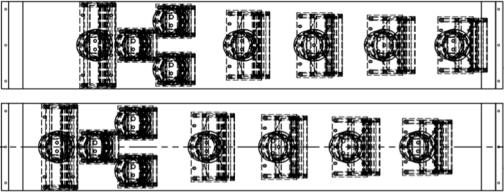
SAM neckdown
start z= 25898

SAM end
z= 26450

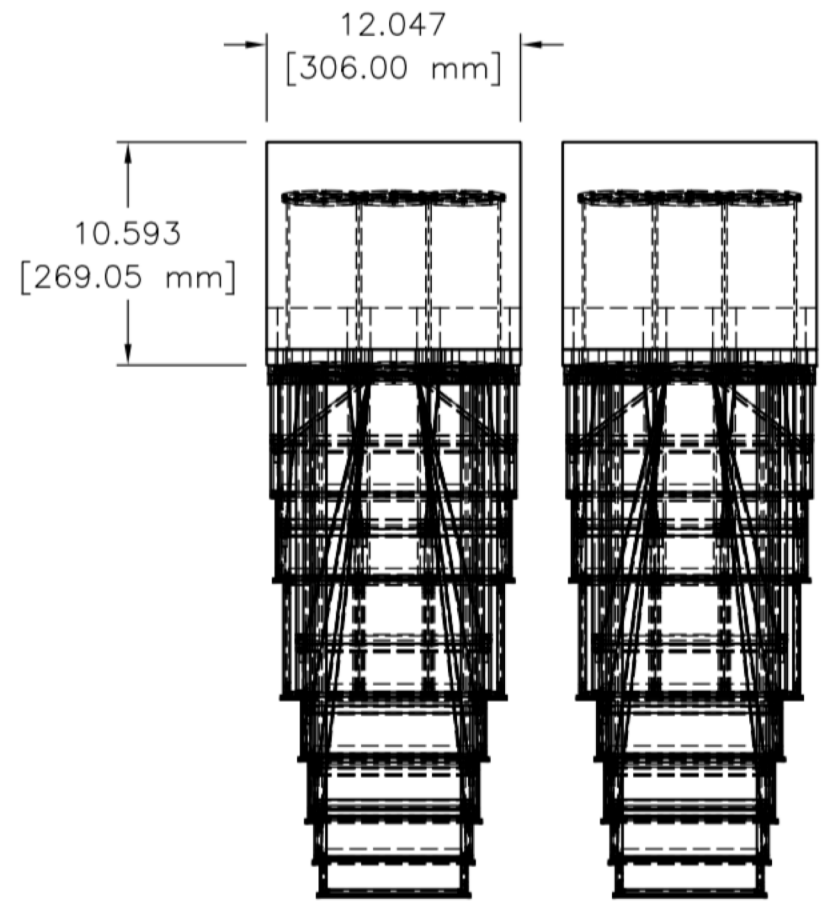
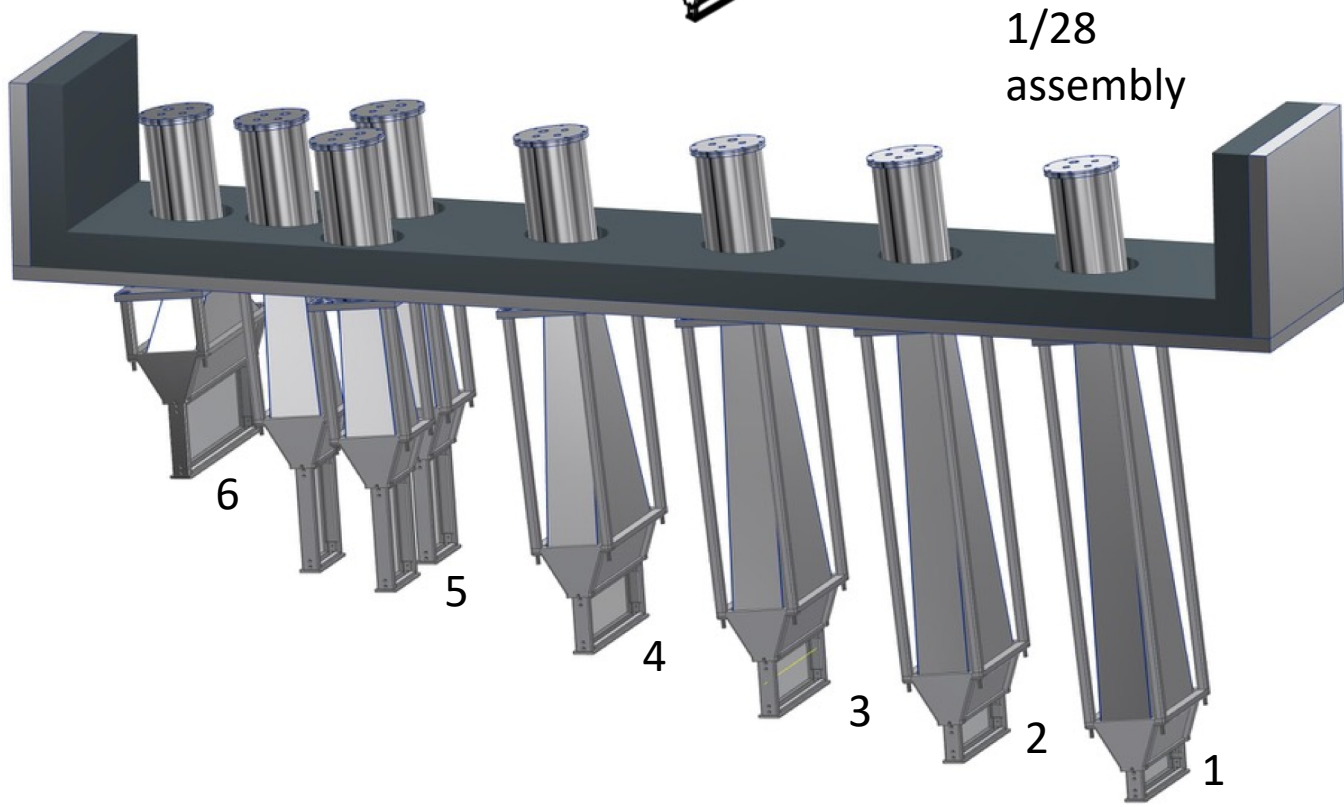
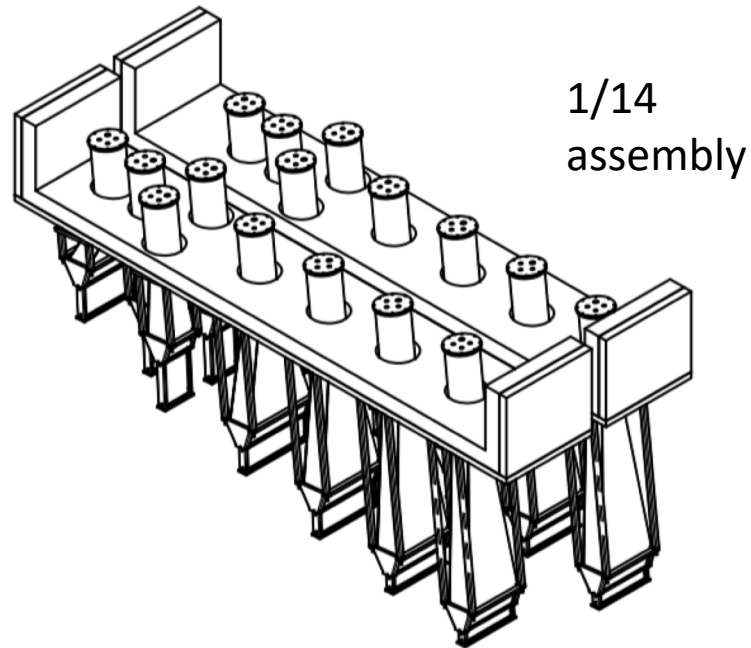
Hall wall
z= 26517

SAM neckdown
end z= 26198

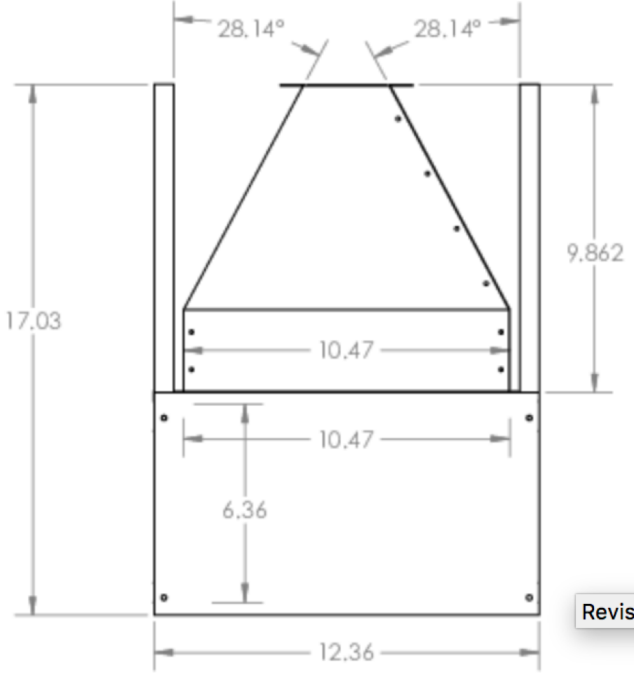
Detector region beamline layout



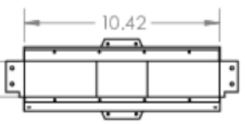
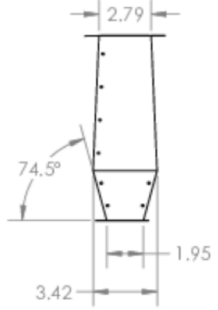
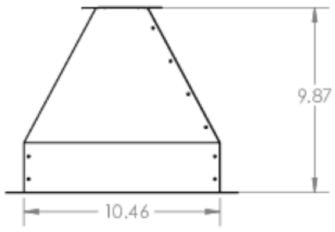
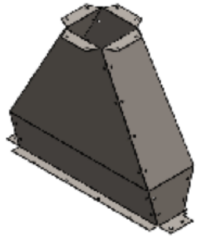
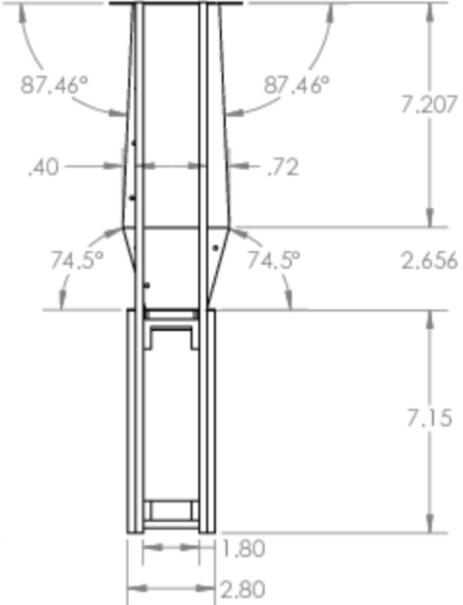
Main Detector



Shower-max Detector



Revision_3_drawing_pdf.PDF



PROPRIETARY AND CONFIDENTIAL
THE INFORMATION CONTAINED IN THIS DRAWING IS THE SOLE PROPERTY OF [INSERT COMPANY NAME HERE]. ANY REPRODUCTION IN PART OR AS A WHOLE WITHOUT THE WRITTEN PERMISSION OF [INSERT COMPANY NAME HERE] IS PROHIBITED.

UNLESS OTHERWISE SPECIFIED:	NAME	DATE
DIMENSIONS ARE IN INCHES	DRAWN	
TOLERANCES:	CHECKED	
FRACTIONAL ±	ENG APPR.	
ANGULAR: MACH ± BEND ±	MFG APPR.	
TWO PLACE DECIMAL ±		
THREE PLACE DECIMAL ±		
INTERPRET GEOMETRIC TOLERANCING PER:	Q.A.	
MATERIAL	COMMENTS:	
RFINH	The dimensions for the height of the light guide should be closer.	
APPLICATION	DO NOT SCALE DRAWING	

TITLE:

SIZE DWG. NO. REV
A Shower Max Revision 3

SCALE: 1:4.5 WEIGHT: SHEET 1 OF 1

PROPRIETARY AND CONFIDENTIAL
THE INFORMATION CONTAINED IN THIS DRAWING IS THE SOLE PROPERTY OF [INSERT COMPANY NAME HERE]. ANY REPRODUCTION IN PART OR AS A WHOLE WITHOUT THE WRITTEN PERMISSION OF [INSERT COMPANY NAME HERE] IS PROHIBITED.

UNLESS OTHERWISE SPECIFIED:	NAME	DATE
DIMENSIONS ARE IN INCHES	DRAWN	
TOLERANCES:	CHECKED	
FRACTIONAL ±	ENG APPR.	
ANGULAR: MACH ± BEND ±	MFG APPR.	
TWO PLACE DECIMAL ±		
THREE PLACE DECIMAL ±		
INTERPRET GEOMETRIC TOLERANCING PER:	Q.A.	
MATERIAL	COMMENTS:	
RFINH	The top and bottom views have the inside dimensions. Front and side views have outer dimensions.	
APPLICATION	DO NOT SCALE DRAWING	

TITLE:

SIZE DWG. NO. REV
A Lightguide Assembly

SCALE: 1:6 WEIGHT: SHEET 1 OF 1